

### Main

Product or component type	Braking resistor
---------------------------	------------------

### Complementary

Range compatibility	Altivar Easy 310 Altivar Process ATV900 Altivar Machine ATV320 Altivar Machine ATV340 Altivar 310L
Product compatibility	Variable speed drive ATV930 wall mount 5.5 kW 380...480 V light cycle Variable speed drive ATV930 wall mount 7.5 kW 380...480 V light cycle Variable speed drive ATV930 wall mount 1.5 kW 200...240 V light cycle Variable speed drive ATV930 wall mount 2.2 kW 200...240 V light cycle Variable speed drive ATV950 wall mount 5.5 kW 380...480 V light cycle Variable speed drive ATV950 wall mount 7.5 kW 380...480 V light cycle Variable speed drive ATV930 wall mount 1.5 kW 200...240 V medium cycle Variable speed drive ATV930 wall mount 2.2 kW 200...240 V medium cycle Variable speed drive ATV340 4 kW 380...480 V light cycle Variable speed drive ATV340 5.5 kW 380...480 V light cycle Variable speed drive ATV320 0.55 kW 200...240 V Variable speed drive ATV320 0.75 kW 200...240 V Variable speed drive ATV320 1.1 kW 200...240 V Variable speed drive ATV320 1.5 kW 200...240 V Variable speed drive ATV320 4 kW 380...480 V Variable speed drive ATV320 5.5 kW 380...480 V Variable speed drive ATV320 5.5 kW 525...600 V Variable speed drive ATV310 5.5 kW Variable speed drive ATV310 7.5 kW Variable speed drive ATV930 7.5 kW 500...690 V light cycle Variable speed drive ATV930 11 kW 500...690 V light cycle Variable speed drive ATV930 10 hp 600 V light cycle Variable speed drive ATV930 15 hp 600 V light cycle Variable speed drive ATV310L 0.75 kW Variable speed drive ATV310L 1.5 kW Variable speed drive ATV310L 2.2 kW Variable speed drive ATV310L 3 kW Variable speed drive ATV310L 4 kW Variable speed drive ATV310L 5.5 kW
Braking cycle	Light cycle (heavy duty) : $\leq 0.8$ s braking with 150 % braking torque for a 40 s cycle Light cycle (normal duty) : $\leq 0.8$ s braking with 120 % braking torque for a 40 s cycle Medium cycle (normal duty) : $\leq 4$ s braking with 135 % braking torque for a 40 s cycle Medium cycle (heavy duty) : $\leq 4$ s braking with 165 % braking torque for a 40 s cycle
Average power available	0.16 kW at 50 °C

Disclaimer: This documentation is not intended as a substitute for and is not to be used for determining suitability or reliability of these products for specific user applications

Ohmic value	60 Ohm
Electrical connection	Terminal, clamping capacity: <= 10 mm <sup>2</sup> , AWG 8 for drive
Protection type	Thermal protection via drive
Width	105 mm
Height	345 mm
Depth	100 mm
Product weight	1.8 kg

## Environment

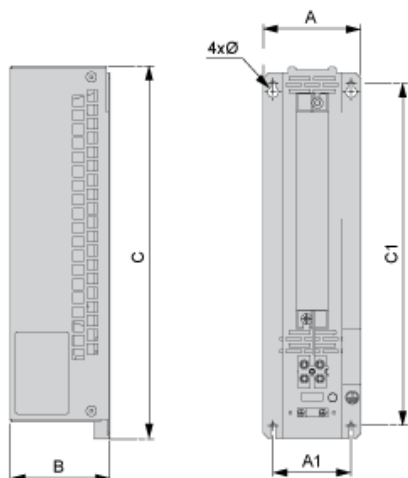
Ambient air temperature for operation	0...50 °C
Ambient air temperature for storage	-25...70 °C
IP degree of protection	IP20

## Offer Sustainability

RoHS (date code: YYWW)	Compliant - since 1533 - Schneider Electric declaration of conformity <a href="#">Schneider Electric declaration of conformity</a>
------------------------	---

Dimensions

Right Side and Front View



Dimensions in mm

A	B	C	A1	C1	Ø
105	100	345	72	316	4.5

Dimensions in in.

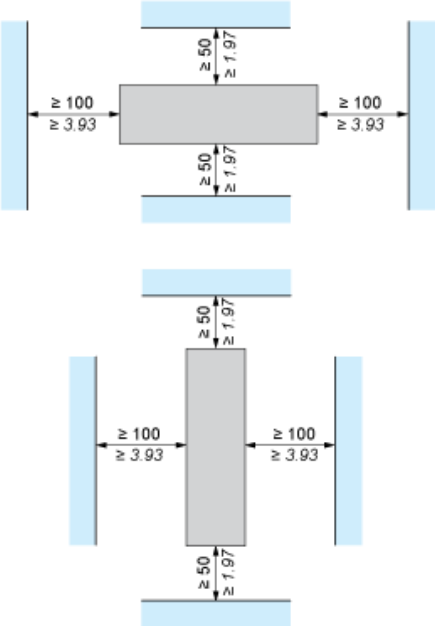
A	B	C	A1	C1	Ø
4.13	3.94	13.58	2.83	12.44	0.18

Mounting and Clearance



(1) Braking resistor

mm  
in.

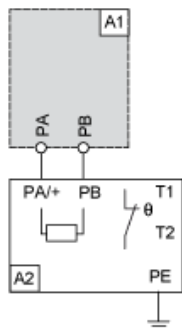


---

Recommended Schema

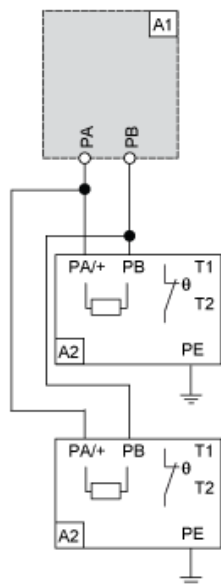
---

1 Braking Resistor



- A1 : Drive or external braking unit
- A2 : Braking resistor
- PA, PB : Bus DC
- T1, T2 : Temperature control switch

2 Braking Resistors



- A1 : Drive or external braking unit
- A2 : Braking resistor
- PA, PB : Bus DC
- T1, T2 : Temperature control switch